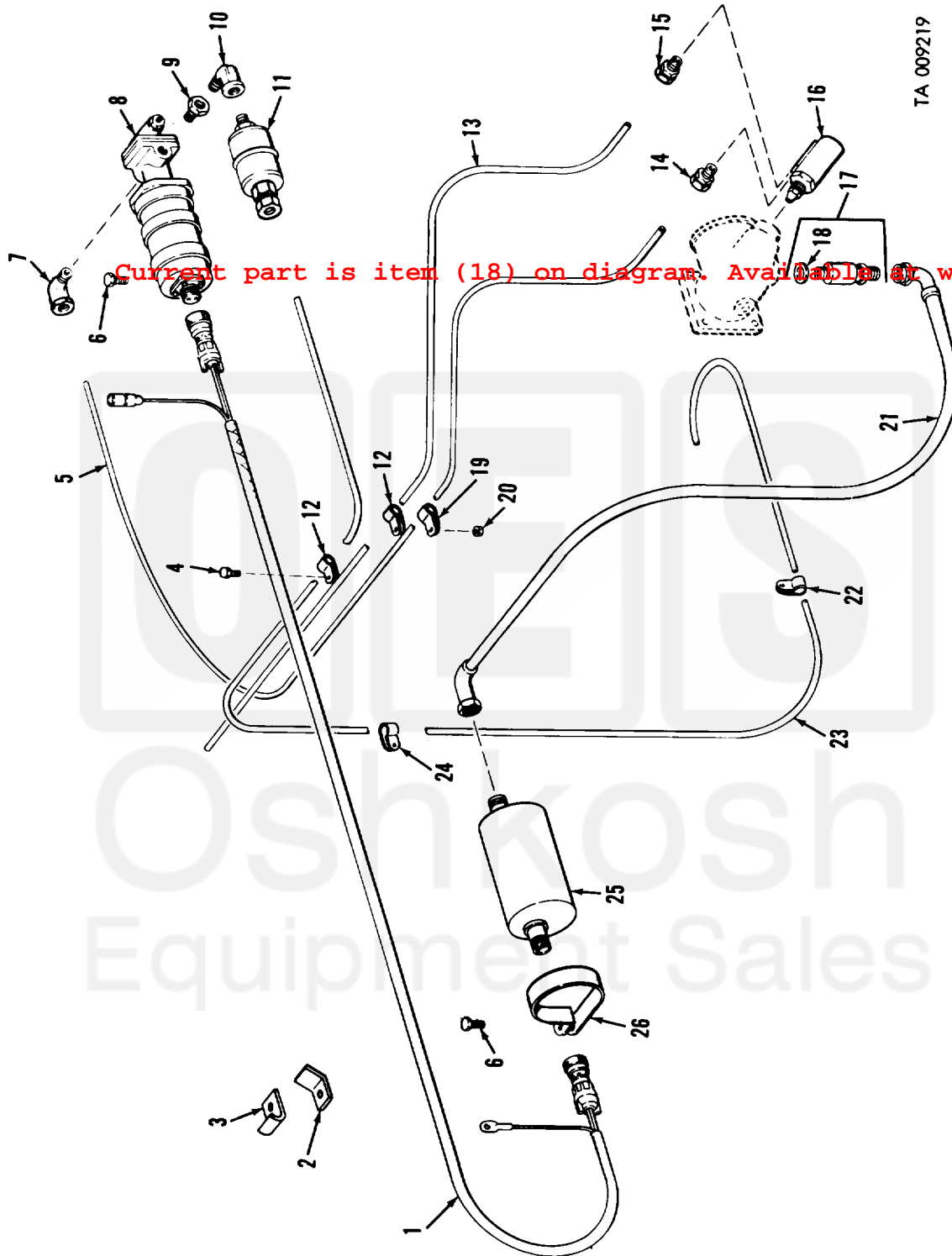


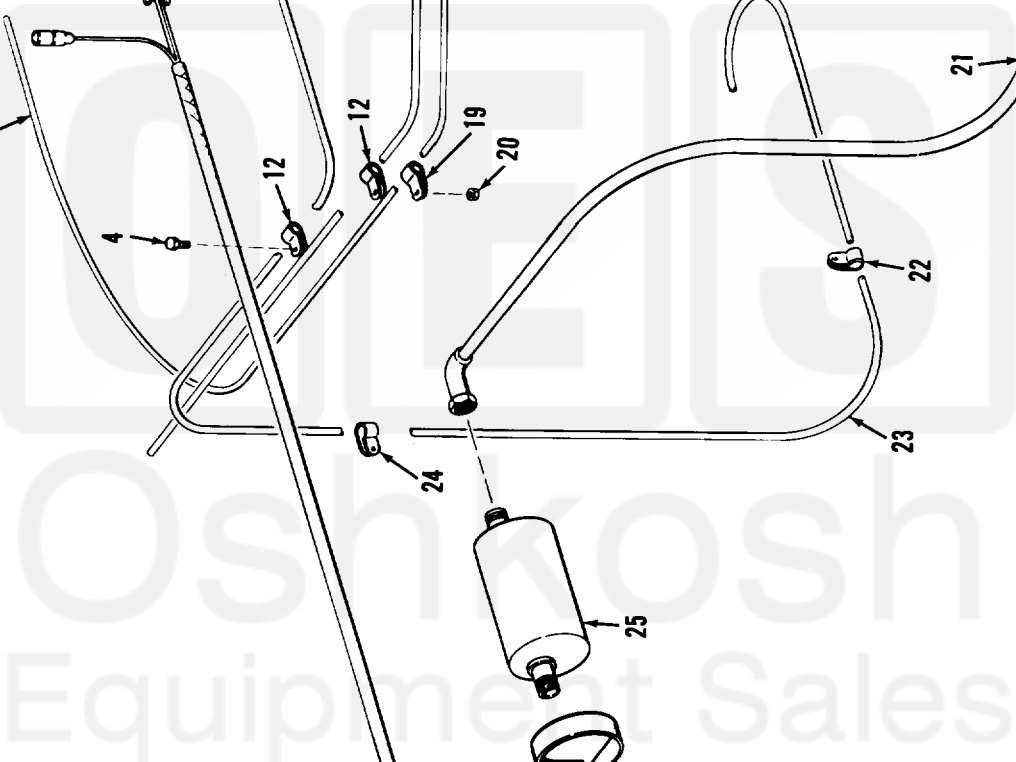
(1) SMR Code	(2) Federal Stock Number	(3) Description	(4) Unit of Meas.	(5) Qty	(6) 15-day organizational	(7) Illustration No.	(a) Figure No.	(b) Item No.
Reference number & mfg. code			Usable on code		(a) (b) (c) (d)			
0311-ENGINE STARTING AIDS-CONTINUED					1-5 6-20 21-50 51-100			
PAOZZ	4730-078-9773	ELBOW,PIPE TO TUBE:FLAME HEATER FUEL PUMP OUTLET 10914552 (19207)	AB	EA	1 * * * *	33	7	
PAOZZ	2990-907-0653	PUMP,FUEL,ELECTRIC:FLAME HEATER 10951192 (19207)	AB	EA	1 * * * *	33	8	
PAOZZ	4730-415-3172	COUPLING,PIPE:FLAME HEATER FUEL PUMP INLET 443998 (21450)	AB	EA	1 * * * *	33	9	
PAOZZ	4730-710-9486	ELBOW,PIPE:FLAME HEATER FUEL PUMP ADAPTER 7109486 (19207)	AB	EA	1 * * * *	33	10	
PAOZZ	2910-884-1211	FILTER,FLUID PRESSURE:FLAME HEATER FUEL 10935646 (19207)	AB	EA	1 * * * *	33	11	
PAOZZ	5340-057-2890	CLAMP,LOOP:NOZZLE FUEL RETURN TUBE INJECTOR PUMP TO FLAME HEATER TUBE MS21333-3 (96906)	AB	EA	2 * * * *	33	12	
MOOZZ		TUBING,PLASTIC:FLAME HEATER NOZZLE FUEL RETURN (1 PC. 23.00 IN. LG) 11609976-8 (19207)	AB	EA	1	33	13	
PAOZZ	4720-135-4424	FABRICATED FROM: TUBING,PLASTIC: 11609976 (19207)	AB	FT	V * * * *			
PAOZZ	4730-289-1243	ADAPTER,STRAIGHT PIPE TO TUBE:FLAME HEATER NOZZLE FUEL INLET 88L1-8X1-8 (30327)	AB	EA	1 * * * *	33	14	
PAOZZ	4730-289-1242	ADPATER,STRAIGHT,PIPE:FLAME HEATER NOZZLE FUEL RETURN 9975928 (18876)	AB	A	1 * * * *	33	15	
PAOZZ	2990-908-6323	NOZZLE AND VALVE ASSEMBLY:FLAME HEATER 10935643 (19207)	AB	EA	1 * * * *	33	16	
PAOZZ	2920-411-5747	SPARK PLUG:WITH GASKET,FLAME HEATER 10935558 (19207)	AB	EA	1 * * * *	33	17	
PAOZZ	5330-298-0091	GASKET:FLAME HEATER SPARK PLUG 150190 (21450)		EA	1 * * * *	33	18	
PAOZZ	5340-057-2888	CLAMP,LOOP:FLAME HEATER PUMP TO NOZZLE TUBE MS21333-1 (96906)	AB	EA	1 * * * *	33	19	
PAOZZ	5310-877-5797	NUT,SELF-LOCKING:.1900- 32UNJF-3B, FUEL LINE TUBING CLAMPS MS21044N3 (96906)	AB	EA	1 * * * *	33	20	
PAOZZ	2990-907-0652	CABLE ASSEMBLY,HEATER:FLAME HEATER 10951191 (19207)	AB	EA	1 * * * *	33	21	



TA 009219

Current part is item (18) on diagram. Available at www.oshkoshequip.com

Figure 33. Flame heater and related parts—multifuel.



Current part is item (18) on diagram. Available at www.oshkoshequip.com